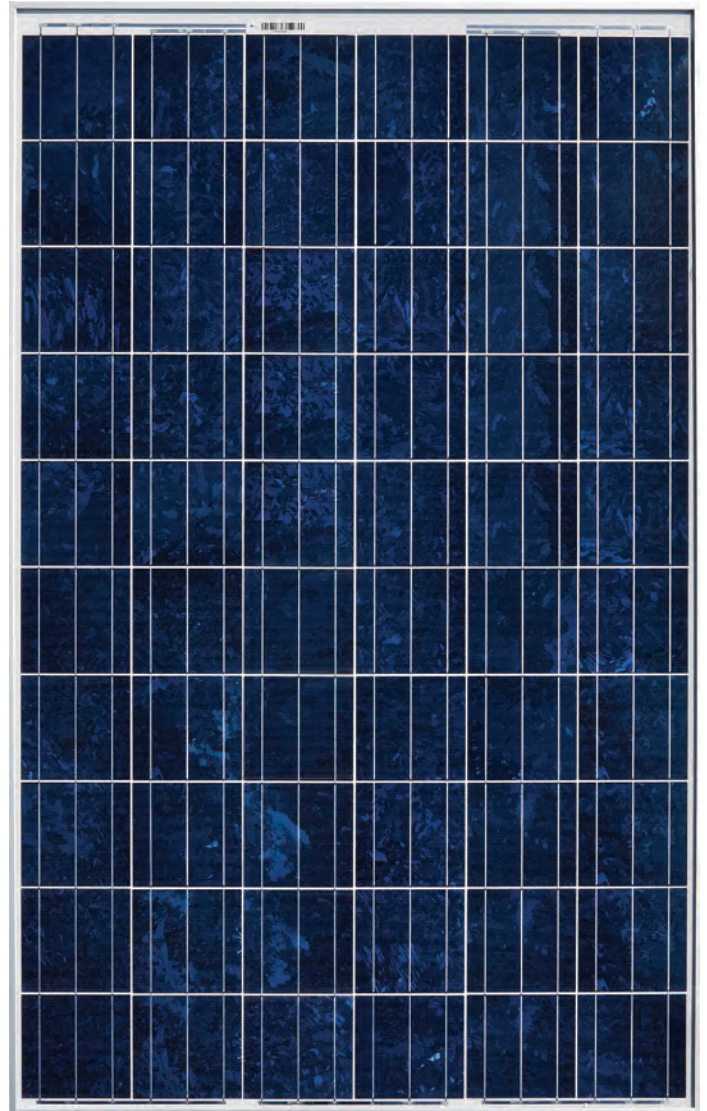


PVP245 Series



Description

Solahart solar power systems are amongst the most efficient in the world delivering more power for each watt installed.

Our solar panels are high performance and made from quality crystalline cells. Each cell is individually tested and power matched to ensure consistent performance between the cells of the panel.

Solahart panels are designed to be durable and engineered to meet the highest quality standards and provide a stable, consistent power output.

Key Features

- Efficient crystalline cell design
- Anodized aluminium frame for durability
- Robust and durable panel design
- Integrated manufacturing process
- Premium quality

Key Benefits

- Textured cells provide more sunlight absorption
- Sunarc glass technology collects more sunlight
- Optimised for a wide range of sunlight conditions
- Low iron solar glass for increased sunlight transmission
- 10 year warranty* on solar panels with Solahart Premium Systems

PVP245 Series

Electrical Characteristics

Maximum Power (Pmax)	245W
Tolerance	0/+5W
Open Circuit Voltage (Voc)	37.2V
Short Circuit Current (Isc)	8.7A
Maximum Power Voltage (Vmp)	30.2V
Maximum Power Current (Imp)	8.1A
Module Efficiency (%)	14.8
Temperature Coefficients of (P / V / I)	-0.43%/K -0.33%/K +0.074%/K
Maximum System Voltage (IEC)	1000V

Electrical characteristics tested at Standard Test Conditions (STC), defined as: Irradiance of 1000W/m², air mass AM 1.5 and Cell temperature of 25°C.

Specifications

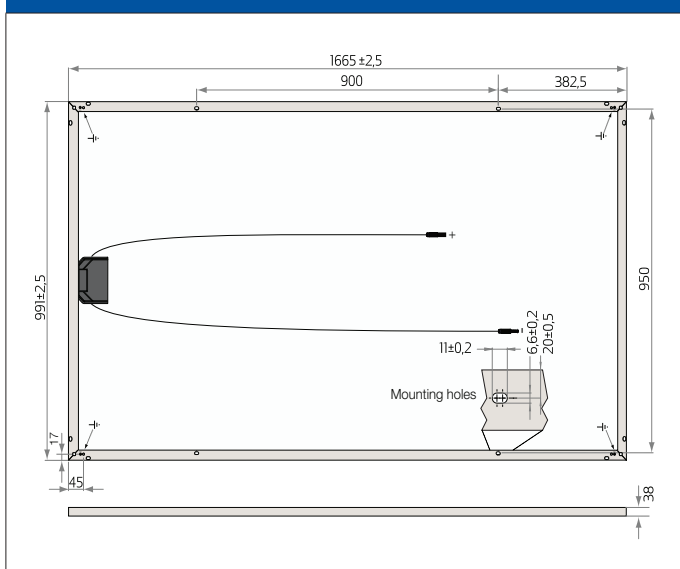
Dimensions	1665mm x 991mm x 38mm
Weight	18kg
Cell Type and configuration	60 REC PE multi-crystalline cells 3 strings of 20 cells – 3 by-pass diodes
Glass	Solar glass with anti-reflection surface treatment
Back sheet	Double layer highly resistant polyester
Frame	Anodised aluminium
Temperature range	-40°C to + 80°C

10 year warranty* (1 year labour) on panels with Solahart Premium Systems.

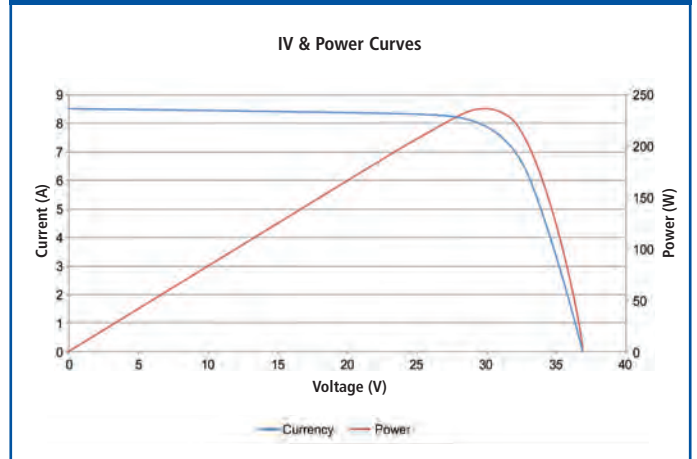
5 year warranty* (1 year labour) on panels with Solahart Systems.

*For full details see the Solahart owners guide and Installation Instructions.

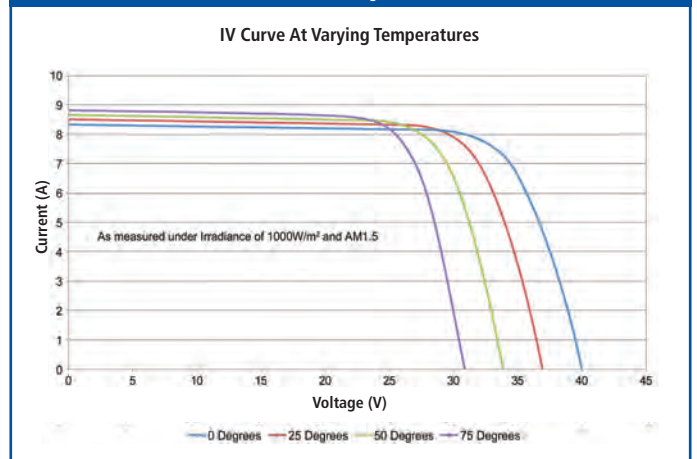
Dimensions



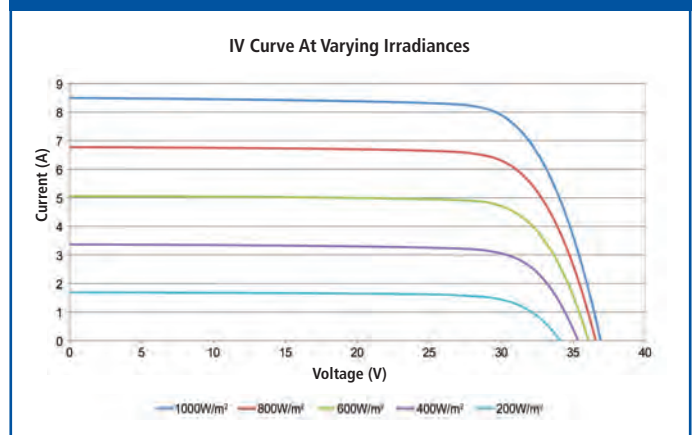
Typical IV Curves



Various Temperatures



Various Irradiance Levels



Note: Graphs apply to 235W panel.

Specifications and designs included in this datasheet are subject to change without notice.

Solahart Australia Tel: 1300 769 475 • www.solahart.com.au

SH843 - November 2011